



VESDA LCD Programmer.....

UL 55198, ULC CS729, FM 1DOA4.AY,
LPC, SSL, VdS

FEATURES

- User Friendly Menu System
- Supports Multiple Languages
- Single Point Access to Entire VESDAnet System
- Alarm and Fault Simulation
- Shows Wiring Order
- Locates Communications Failures
- Password Security
- Hand Held or Remote Mounting
- Automatic Logoff when Inactive
- Backlit LCD Screen

Description

The Programmer Module allows direct access to all VESDAnet devices on a VESDA smoke detection system. It allows configuration and status reporting of detectors, displays and interfaces and is required when installing, commissioning and maintaining a VESDA network. By incorporating a user friendly menu, navigation through the comprehensive features of VESDAnet is convenient and simple.

The programmer module is available as a hand-held device or can be mounted into a LaserPLUS or LaserSCANNER detector, a remote mounting box or a 19in sub rack.

The two rows of large push buttons enable the user to log ON and navigate through the menu trees to the various command and parameter setting functions. The top row of keys are called "Soft Keys" and are assigned programming options appropriate to the screen being viewed.

Some of the parameters that can be accessed via the programmer include device status reporting, zone number and name allocation, flow normalization, alarm threshold setting (day, night, weekend), initiation of AutoLearn, wiring order, relay testing and event log review.

Up to 14 assigned Users or Administrators with an individual 4 digit Personal Identification Number (PIN), and one Distributor, can log onto a VESDAnet system under one of three levels of access which are password protected:

User (USR) is only able to view parameters, check status, alarms and reset the system.

Administrator (ADM) has access to most commands and programming parameters.

Distributor (DST) is the topmost level and has unlimited access to all commands and parameters in the system.

Lost PIN numbers can be overcome by obtaining a once only pass number from your VESDA distributor.

The programmer automatically logs OFF when not in use for more than 10 minutes. The user is prompted with a beeping sound at 1 minute and at 15 seconds before log OFF. Any key may be pressed to cancel the automatic log OFF process.

Programming Functions

- System Configuration
- Detector Zone Configuration and set up
- Detector Zone Control
- System Status
- Smoke Threshold and Detector Sensitivity Settings
- Event Log Interrogation
- Commissioning and Testing
- Set Date and Time
- Referencing
- AutoLearn™
- Passwords and User Configuration
- System Fault Diagnostic



LCD Programmer Specifications

Supply Voltage: 18 to 30VDC

| | | Module | Hand Held | Remote |
|------------------|-----|---|--|---|
| Power (W) | Min | 0.6W | 1.3W | 1.3W |
| | Max | 2.3W | 3.0W | 3.0W |
| Current (mA) | Min | 20mA | 50mA | 50mA |
| | Max | 80mA | 110mA | 110mA |
| Dimensions (WHD) | in | 3.9 x 5.1 x 1.21 | 4.1 x 5.3 x 2.4 | 5.5 x 5.9 x 3.5 |
| | Mm | 98 x 130 x 30 | 105 x 135 x 60 | 140 x 150 x 90 |
| Connections | | Terminal connector to Head Processor Card or to expansion connector on another VESDA device | 15 pin D-type connector. VESDAnet cable required connect to detector or remote VESDAnet socket | RS485 VESDAnet field wiring. To Screw terminal blocks (30-12 AWG, 0.2-2.5mm2) |

Screen Display Size:

- 2.75in x 1.45in (70mm x 37mm)
- Full Graphic display
- Large characters
- 8 lines, 21 characters per line
- Adjustable backlit screen with contrast control

Inactivity Time Out:

- 10 minutes (Defaults to log on screen)
- Beeps at 1 minute and then 15 seconds before Logoff

Push Button Keys:

- 2 Rows x 4 keys, each 0.75in x 0.50in (19mm x 12mm)

Security Access:

- 3 characters User ID
- 4 digit Personal Identification Number (PIN) per User
- Number of User Levels:
 - 10 USR
 - 3 ADM
 - 1 DST
- Default ID:
 - USR = User (Operator level)
 - ADM = Administrator (Access most functions)
 - DST = VESDA Distributor (Access all functions)

Operating Temperature:

- Ambient: 32° to 103°F (0° to 39°C)
- Humidity: 10 - 99% RH, non-condensing

System Functions Accessed:

- Status & software version
- Descriptive Alarms & Faults
- Smoke & Flow readings
- Push-Button lockout
- Display name (21 chars)
- Alarm Thresholds (Alert, Action, Fire 1 & Fire 2)
- Alarms delays (0-60 seconds)
- Day/Night/Weekend/Holiday Options
- Event Log (up to 18,000 events)
- Zone number and name (21 chars)
- Pipes in use (pipe 1 to 4)
- Aspirator Speed & Flow control
- Confirmation of filter change
- Relay configuration
- Referencing
- AutoLearn™

Addressed Devices:

- 250 VESDA devices maximum

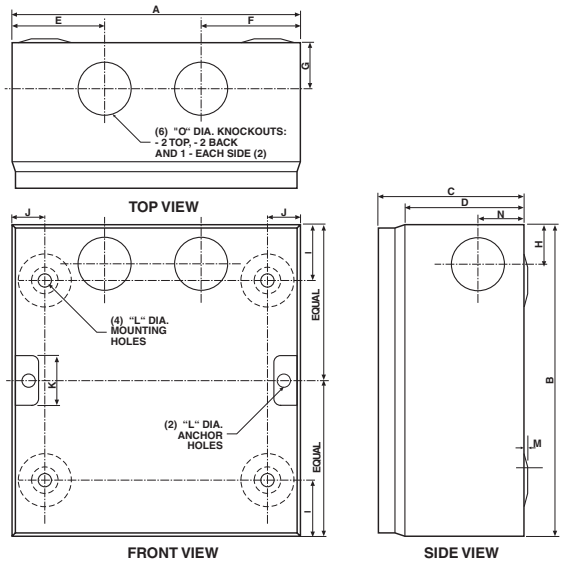
VESDA addressed Devices:

- LaserPLUS Detectors & Displays
- LaserSCANNER Detectors & Displays
- LaserCOMPACT Detectors & Displays
- HLI (High Level Interface) Remote Relays
- Relay modules

Ordering Information:

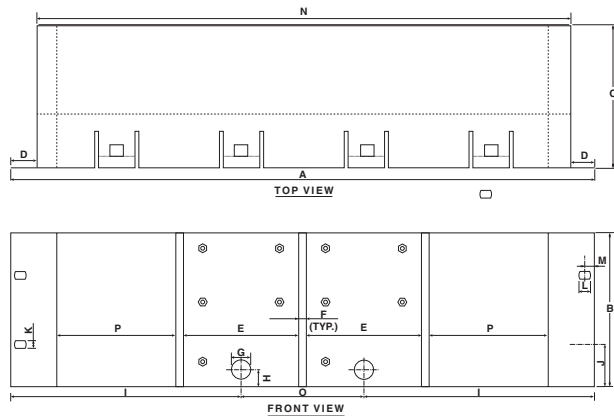
- Remote Programmer VRT-100
- Recessed Mounting Kit (Optional) VSP-012
- Hand-held Programmer VHH-1000
- 19in Sub Rack Configuration contact Vision Systems

Remote Mounting Box



| Dimensions | |
|------------|-----------|
| | in mm |
| A | 5.5 140 |
| B | 5.9 150 |
| C | 2.75 70 |
| D | 2.36 60 |
| E | 1.75 44.5 |
| F | 1.9 48 |
| G | .9 23 |
| H | .98 25 |
| I | 1.1 27.5 |
| J | .65 16.5 |
| K | .98 25 |
| L | .25 6.4 |
| M | .06 1.6 |
| N | .91 23 |
| O | 1.0 26 |

19" Sub Rack



| Dimensions | |
|------------|-----------|
| | in mm |
| A | 19 482 |
| B | 5 128 |
| C | 4.75 120 |
| D | .82 21 |
| E | 3.82 97.2 |
| F | .25 6.4 |
| G | .62 16 |
| H | .56 14 |
| I | 7.50 190 |
| J | 1.4 36 |
| K | .28 7 |
| L | .39 10 |
| M | .31 8 |
| N | 17.37 440 |
| O | 4 102 |
| P | 4 98.5 |

Australia and Asia

Vision Fire & Security
 495 Blackburn Road, Private Bag 215
 Mount Waverley VIC 3149 Australia
 Ph: +61 3 9211 7200
 Fax: +61 3 9211 7201
 Freecall: 1 800 700 203

The Americas

Vision Fire & Security
 700 Longwater Drive
 Norwell, Massachusetts, 02061
 Ph: 781 740-2223 or
 (800) 229-4434
 Fax: 781 740-4433

Europe and the Middle East

Vision Fire & Security
 Vision House, Focus 31, Mark Road
 Hemel Hempstead, Herts. HP2 7BW
 United Kingdom
 Ph: +44 1442 242 330
 Fax: +44 1442 249 327

www.vesda.com

