

Dispersion Nozzle

DESCRIPTION

Dispersion nozzles are mounted directly to the agent storage container. These “Zero Restriction” nozzles are carefully designed to create the most effective distribution of suppression agent. Unlike other systems, Fike nozzles do not add additional flow restrictions. In fact, the total area of the dispersion orifices is twice that of the nozzle inlet. Flow restrictions in the dispersion nozzle can result in increasing the time required to deliver the suppressant agent into the combustion zone and result in higher total suppressed pressures.

In addition to the standard nozzle, Fike offers a flush-mount, telescoping nozzle for hygienic or abrasive applications.

OPERATION

When called upon by the system controller, the suppression agent will discharge through the dispersion nozzle. Fike dispersion nozzles are designed to direct the largest possible dispersion of the suppressant agent in the shortest time.

NOZZLE COVERS

If process build-up in the distribution nozzle is a concern, Fike offers a specially designed non-fragmenting nozzle cover that provides a hermetic seal until the agent is released. At that time, the nozzle cover bursts in a predetermined pattern allowing unrestricted flow of the suppressant, while containing the nozzle cover so that it does not contaminate the process. This nozzle cover is constructed of FDA approved materials for hygienic applications. An optional “Blow-off” nozzle cover is also available.

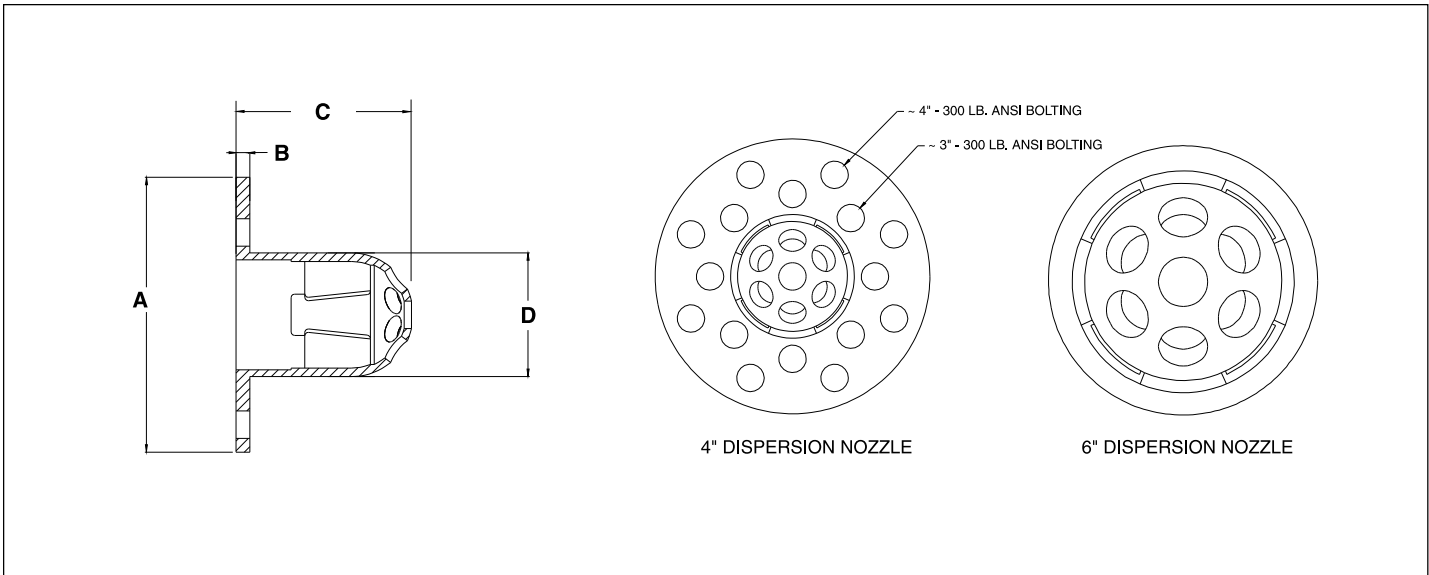
TECHNICAL SPECIFICATIONS

Materials of construction

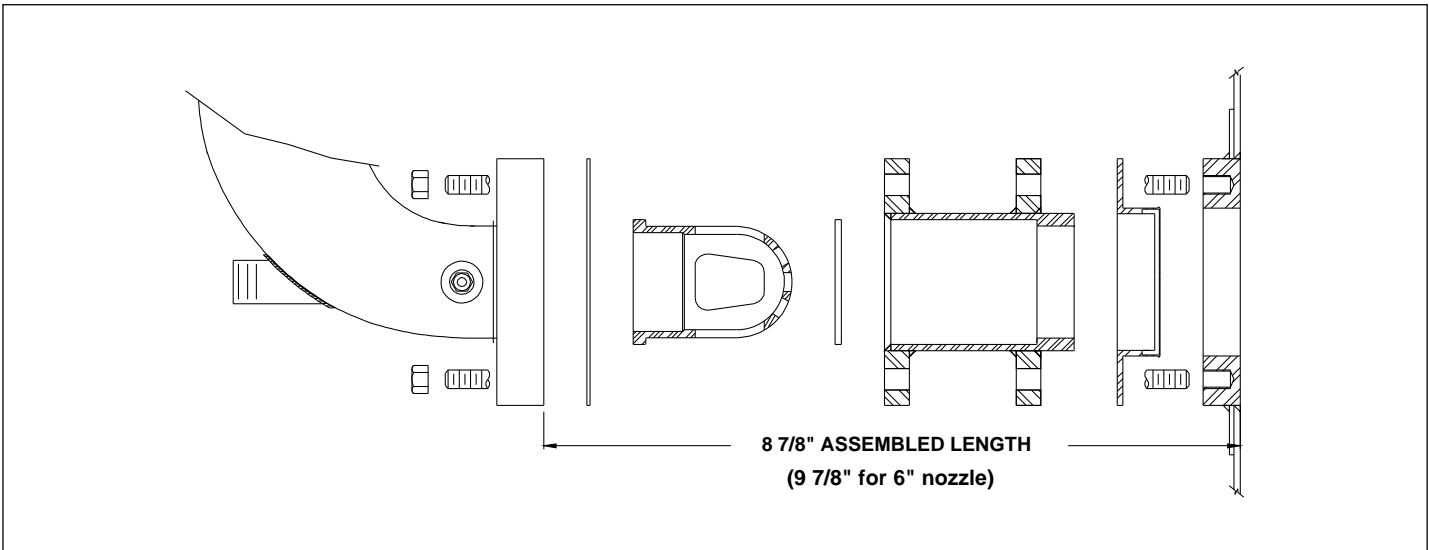
Nozzle: 304 stainless steel, cast

Covers: STD. FDA white neoprene
FDA silicone

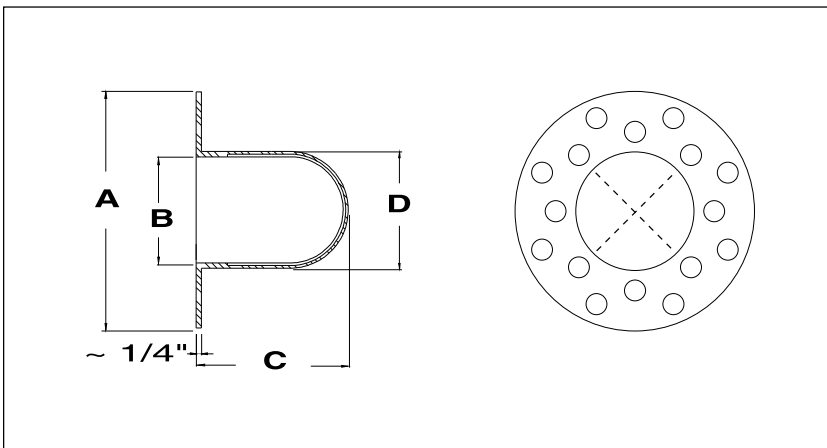
OPT. Viton (“Blow-off” cover)



Standard nozzle detail and dimensions



Flush-mount, telescoping nozzle detail and dimensions



Non-fragmenting nozzle cover detail and dimensions

Dimensions				
Nozzle				
	A	B	C	D
4"	10"	1/2"	6 1/2"	4 1/2"
6"	9 3/16"	3/4"	7 3/4"	6 7/8"
Nozzle Cover				
	A	B	C	D
4"	10"	4 5/8"	6 1/4"	5"
6"	9 3/16"	7"	7 1/4"	7 7/16"

All specifications are subject to change without notice.