

J-Box ELR-Box

HDJ-Box HDELR-Box

ThermoCable™ Connection Boxes Junction and Termination Boxes

Part Number: TC1000
Part Number: TC1001
Part Number: TC1002
Part Number: TC1003

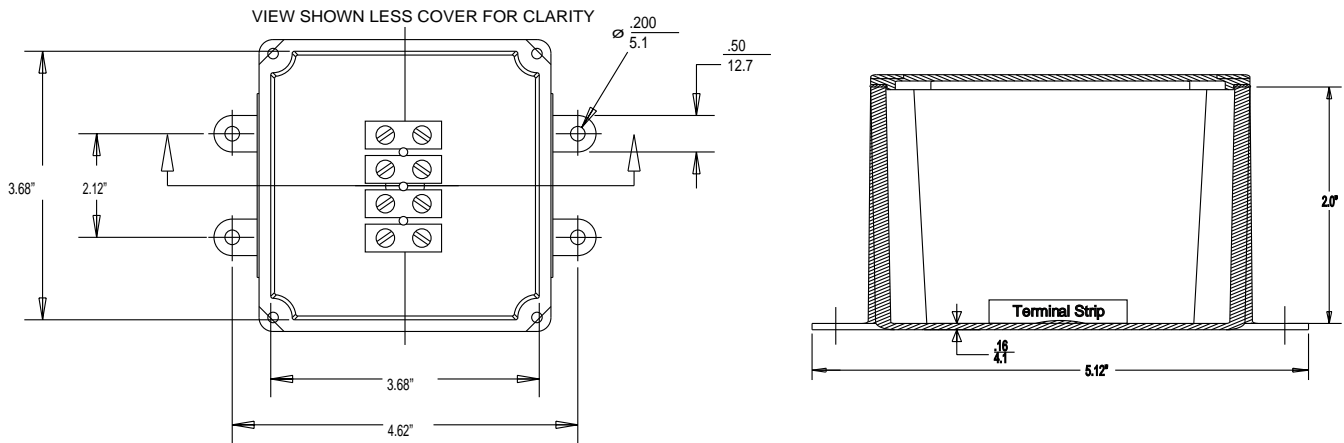
Cut Sheet

Description

Nonmetallic Junction and Termination Boxes are UL listed with a NEMA 4X rating. Manufactured from PVC or PPO thermoplastic molding compound and featuring foam-in-place gasketed lids attached with stainless steel screws. All junction and termination boxes must use a Strain Relief Connector (TC100) for all connection made through the enclosure. A 3/4" hole must be drilled through the enclosures to insert the Strain Relief Connector.

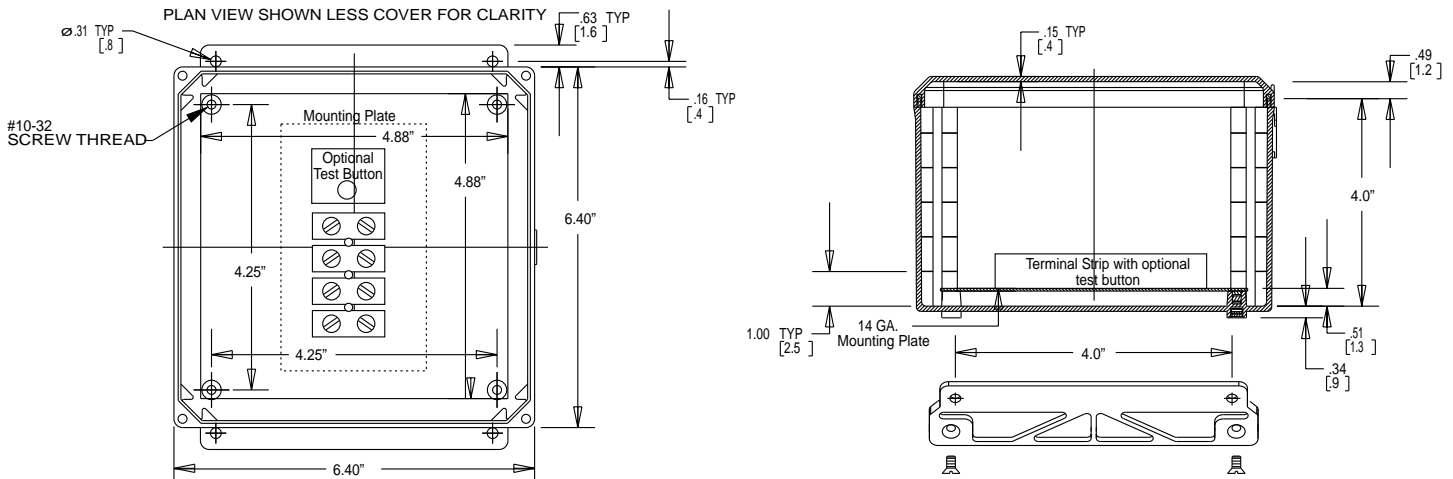
J-Box (TC1000) , ELR-Box (TC1001)

NEMA 4X moisture proof standard junction boxes. J-Box contains screw terminal strip for leader wire to ThermoCable™ connection. ELR-Box contains screw terminal strip with end of line resistor to be used at the end of the ThermoCable™ run.



HDJ-Box (TC1002) , HDELR-Box (TC1003)

NEMA 4X moisture proof Heavy Duty junction boxes. HDJ-Box contains screw terminal strip for leader wire to ThermoCable™ connection. HDELR-Box contains screw terminal strip with end of line resistor and optional test button to be used at the end of the ThermoCable™ run.



...the leader in early warning air sampling fire technology...

SAFE Fire Detection, Inc.
5915 Stockbridge Drive
Monroe, NC 28110
Phone: 704-821-7920
Fax: 704-821-4327

Satellite Offices in:

- Chicago, Illinois
- Hammond, Indiana
- Houston, Texas
- Los Angeles, California
- Toronto, Canada

E-mail: staff@safefiredetection.com • www.safefiredetection.com